



PROVEN 6/TM900

FOUNDATION INSTRUCTIONS



Foundation Pack for Proven 6/TM900

PACKING LIST

1 - GALVANISED BASE PLATE

6 – M30 FOUNDATION RODS, WITH 12 M30 NUTS AND 6 M30 WASHERS

9 - M24 HIGH TENSILE BOLTS AND 9 WASHERS

1 - ANCHOR PIN

1 set Foundation Pack

- 1 Pack Description (this page)
- 1 Standard foundation diagram
- 1 Anchor foundation diagram
- 1 Alignment/Access diagram
- 1 Foundation description (incl. concrete mixing details)

N.B. REINFORCING STEEL MESH SHEET IS ALSO REQUIRED FOR THE FOUNDATION WORK BUT IS NOT INCLUDED IN THE KIT SUPPLIED BY PROVEN

FOUNDATION PREPARATIONS

The main foundation consists of a large block of high-strength concrete. Six lengths of M30 screwed rod are set into the concrete and are attached to the Foundation Base Plate. The Base Plate includes the hinge-pin attachment, which is used to raise and lower the turbine (see diagrams). Preferably, the concrete should be prepared and the foundation prepared with one load of concrete. Where this is not possible, the top layer should be added before the bottom one has had time to set.

Don't 'Shutter & Backfill'

When preparing house foundations a mould is prepared into which the concrete is poured. Earth/rocks are then filled around the foundation after the concrete has set.

For WT foundations it is better to have an irregular shaped foundation than to have a perfect cube and then surround it with loose earth - just dig a hole and then fill it! This will produce a foundation with good stability.

Preparing the Base Foundation

The base foundation consists of 6m³ of strong-mix concrete. Normally this is prepared as a rough 2.5 x 2.5 x 1m cube, but where ground conditions dictate, a shallower wider foundation of the same volume may be used. As and when required soil analysis can be conducted to identify exactly what type and dimension of foundations are to be used in certain ground-types. Proven Energy Ltd. can provide basic information to give an idea as to what is required, however professional advice should be sought when an exact soil analysis is required.

Screw the 9 large (M24) bolts supplied with the base-plate it to their full extent (not transported this way to protect the end thread). The ends of the bolts are factory greased. These bolts will later be withdrawn and used to bolt the WT tower to the base plate. Inserting them at this stage makes sure there is the necessary clearance in the concrete.

Attach the M30 screwed rod with nuts provided to the base plate before pouring concrete. Insert reinforcing mesh into hole and jack up base plate assembly to approximately the right height. **It is very important that one of the M30 screwed rods at the hinge side of the base plate is set low into the concrete so that there will be access for the hinge pin to slide in later. If this is not done when the concrete is laid then the screwed rod should be hacksawed off just above the nut afterwards.** Insert conduit or soil pipe used for wind turbine power cable from edge of hole up through centre of base plate. Add concrete (Readimix supplier is usually easiest for this type of volume) and use vibrating concrete poker as necessary to remove air bubbles.

Important

Before setting the Base Plate and foundations into the concrete foundation consider which way your WT will be lowered/raised and position the hinge-pin accordingly

Use a spirit level and the nuts on the screwed rod to get the base plate flat. **It is vital that underneath the base plate is completely filled with concrete. The base plate must be fully supported by concrete when installation of turbine and tower takes place.** Leave the final tightening of the M30 nuts until the hardening period is over.

Clean the base plate of any excess concrete.

Winch Anchor Foundation

Refer to foundation diagrams for positioning. The anchor consists of a 1m cube or equivalent. It should be located on the opposite side of the base plate to the hinge pin attachment. **N.B. It is important that the anchor is placed exactly in line with the centre of the base plate and perpendicular to the line of the hinge brackets.** The pull on the anchor point for the Proven 6/TM900 during raising and lowering is approximately 2500kg.

Concrete Specification

If using a Readimix supplier, ask for 35 Newton concrete. If mixing the concrete yourself, you should use the following proportions by volume

1:2:4
cement:sand:gravel

Approximate volumes and weights for a 1m³ foundation are

| | | |
|---------|--------------------|-------------------------------|
| Cement: | 310kg or 6.2 bags | (1 bag = 50kg) |
| Sand: | 0.43m ³ | (967 kg or approx 1.0 tonnes) |
| Gravel: | 0.86m ³ | (2150kg or approx 2.2 tonnes) |

Hardening Time

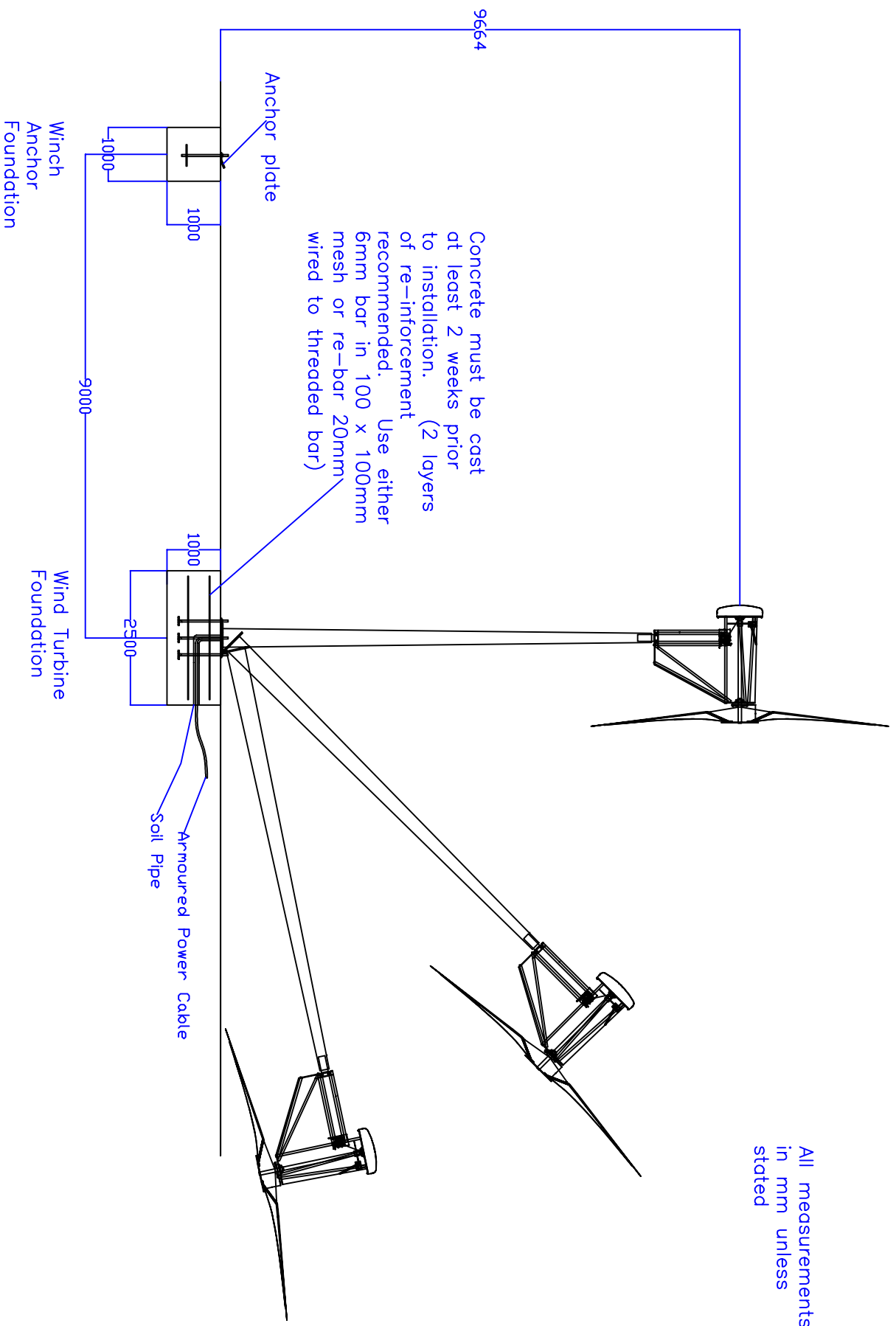
You should allow plenty of time for the foundation to set and harden fully before erecting the turbine. We recommend a hardening period of approximately 2 weeks. For this reason, foundations are normally prepared in advance of the main installation. Note that the hardening time may be lengthened by poor weather conditions and shortened by the use of a quick-setting concrete additive.

Poor Foundation Preparations

Proven reserve the right to cancel an installation of a turbine if it is thought the foundations are of a poor quality. Subsequent costs in repairing the foundation and any further site visits will be met by the customer.

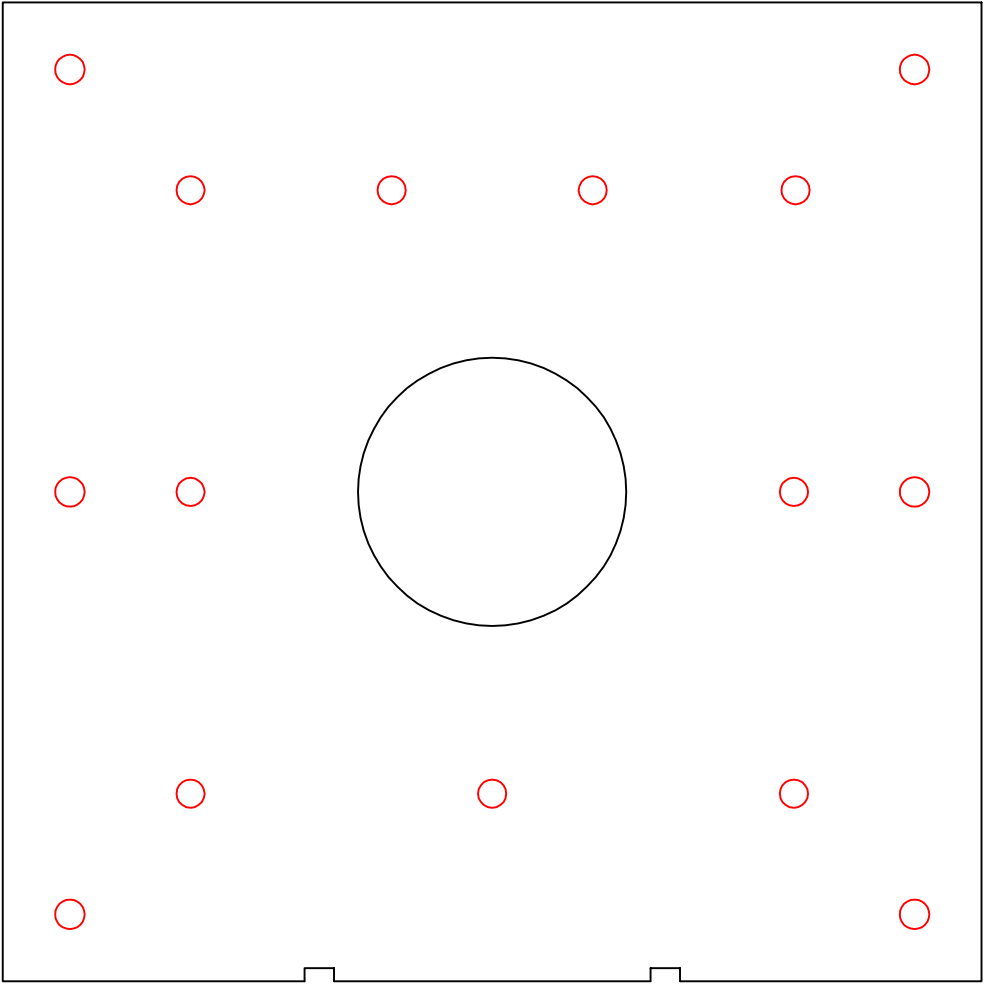


All measurements
in mm unless
stated



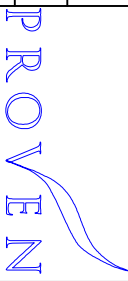
| ZONE | REV | DESCRIPTION | REVISIONS | DATE | APPROVED | PREPARED BY | CHECKED BY | REV |
|------|-----|-------------|-----------|------|----------|-----------------------|-----------------------|-------|
| - | - | - | - | - | - | KA | PH | |
| - | - | - | - | - | - | FSCM NO. | DWG NO. | |
| - | - | - | - | - | - | 6000 FO 006 rev 5.dwg | 6000 FO 006 rev 5.dwg | |
| - | - | - | - | - | - | SCALE | DATE | SHEET |
| - | - | - | - | - | - | 23/11/2006 | 23/11/2006 | sheet |

| | | |
|--|--|--|
| | | © Proven Energy Ltd, Wardenhead Park, Stewarton, KAS 3LH, Scotland, Tel +44 (0) 1560 485 570 info@provenenergy.com All rights reserved |
| Proven 6 Turbine with TM900 Self Supporting Tilt Up Tower (Side Elev) | | |



| ZONE | REV | DESCRIPTION | REVISIONS | DATE | APPROVED |
|------|-----|-------------|-----------|------|----------|
| - | - | - | - | - | - |
| - | - | - | - | - | - |
| - | - | - | - | - | - |

| | | | |
|----------------|-----------------|------------|-------|
| PREPARED BY RC | | CHECKED BY | |
| FSCM NO. | DMG NO. | REV | |
| | 6000 FO 027.dwg | 1 | |
| SCALE | DATE | SHEET | sheet |
| | 09/09/03 | | |

| | | |
|--|--|---|
|  | | © Proven Energy Ltd, Wurdhead Park Skewerton, KA3 5LH, UK, Tel +44 1560 485 570 info@provenenergy.com All rights reserved |
| Drawing Title WT6000/TM900 Baseplate Drawing | | |

SCREW GREASED MAST BOLTS
FULLY INTO BASE PLATE
TO GIVE CLEARANCE
IN CONCRETE

Cast concrete direct into
hole - DO NOT SHUTTER
AND BACKFILL.

Two layers of reinforcing mesh
6mm or heavier A142 grade
with approx 200mm sq holes
Mesh should be 2.2m square

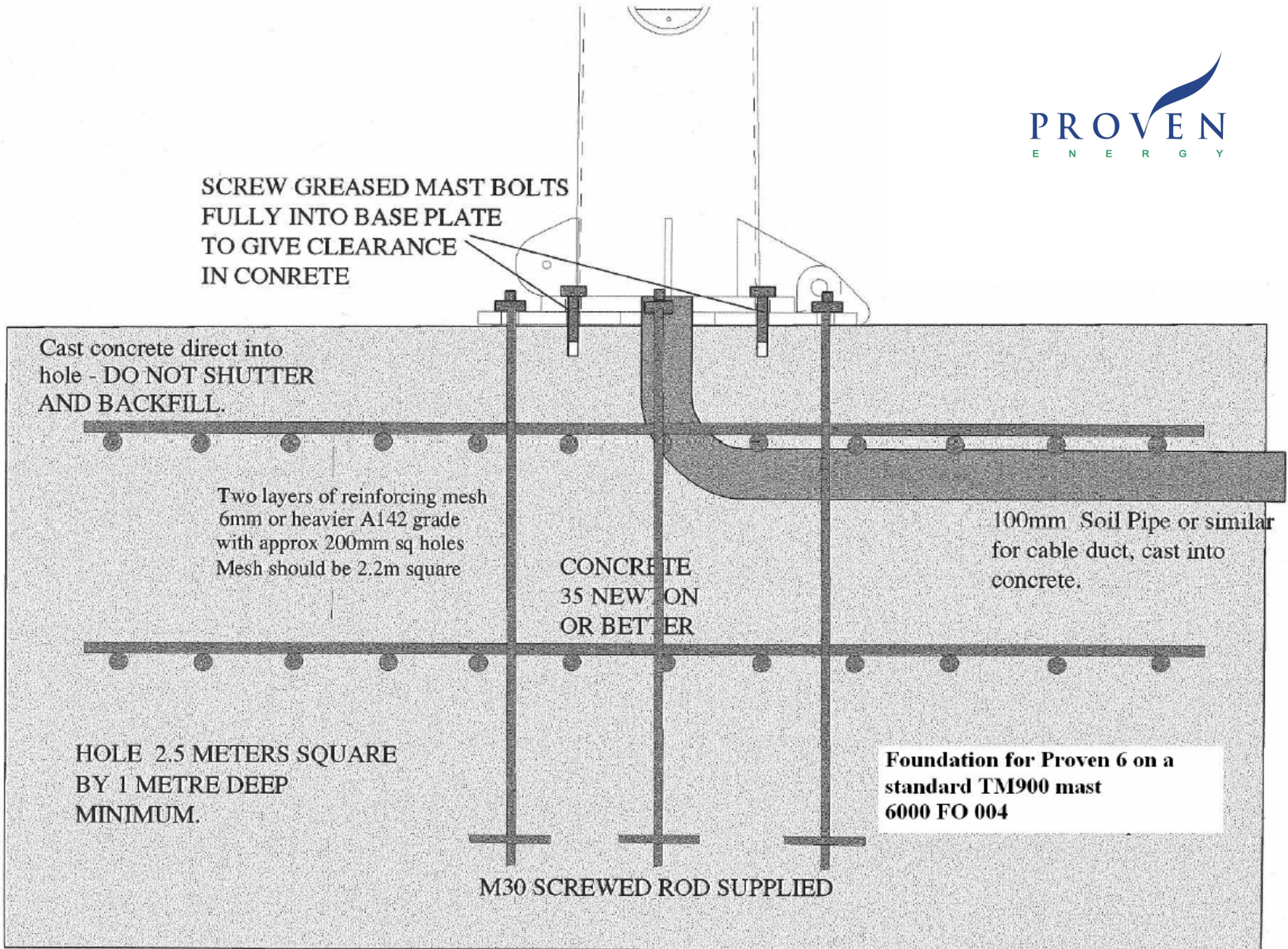
CONCRETE
35 NEWTON
OR BETTER

100mm Soil Pipe or similar
for cable duct, cast into
concrete.

HOLE 2.5 METERS SQUARE
BY 1 METRE DEEP
MINIMUM.

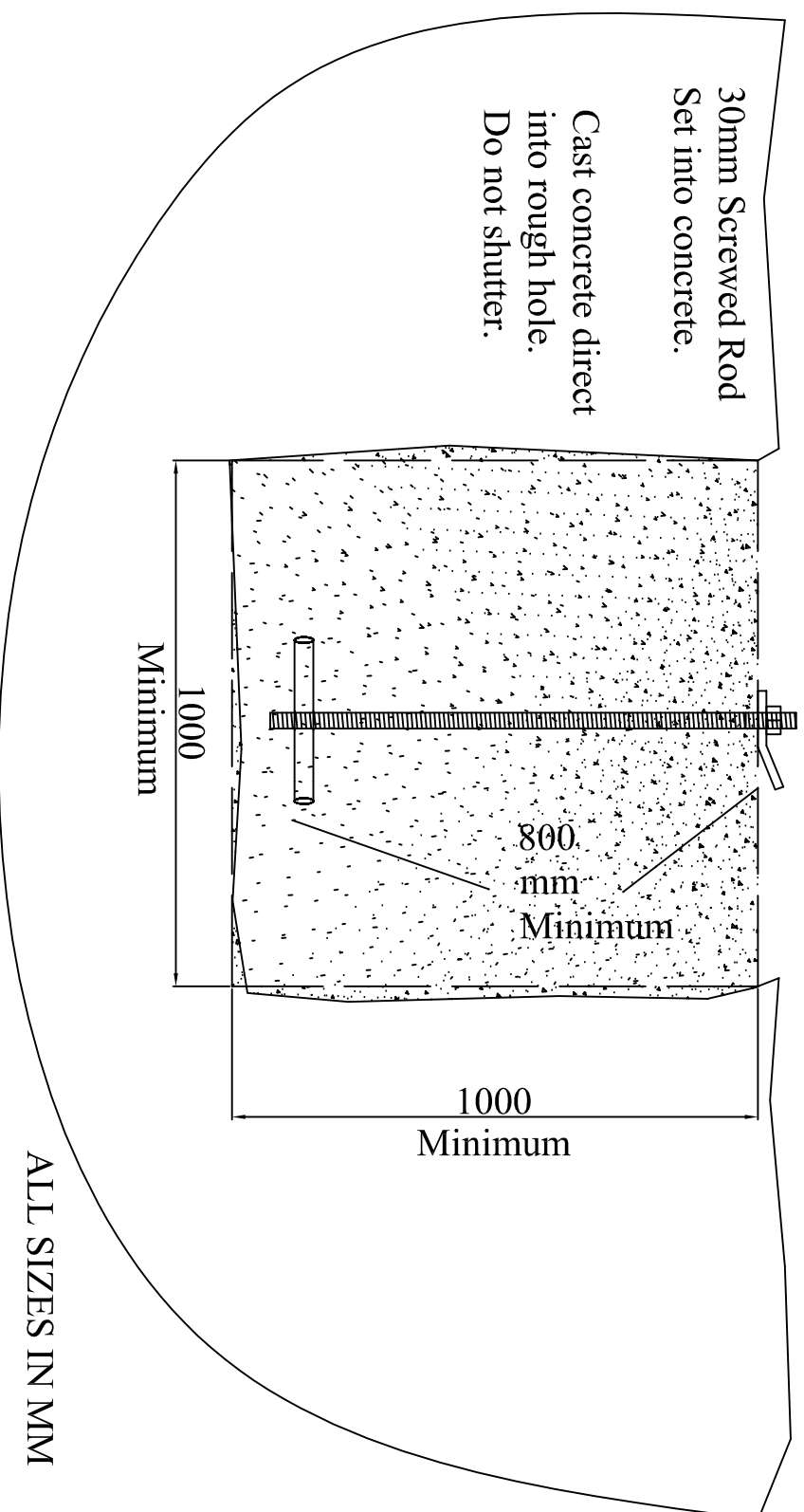
Foundation for Proven 6 on a
standard TM900 mast
6000 FO 004

M30 SCREWED ROD SUPPLIED



ANCHOR BLOCK LAYOUT FOR PROVEN 6 WITH TM900 MAST

Secure winch attachment plate once the concrete has cured.



| ZONE | REV | DESCRIPTION | REVISIONS | DATE | APPROVED | PREPARED BY | PH | CHECKED BY | KA | SCALE | DATE | 23/11/2006 | SHEET | REV | 1 |
|------|-----|-------------|-----------|------|----------|-------------|----|------------|-----------------------|-------|------|------------|-------|-----|---|
| - | - | | | | | FSCM NO. | | DWG NO. | TM900_6000\F0_001.dwg | | | | | | |
| - | - | | | | | | | | | | | | | | |
| - | - | | | | | | | | | | | | | | |



© Proven Energy Ltd, Warden Park
Stewarton, KA3 5LH, UK, Tel +44 1560 485 570
info@provenenergy.com All rights reserved

Drawing Title
Proven 6 – 9M MAST ANCHOR BLOCK DETAILS



Dear Sir/Madam,

PROVEN CUSTOMER FOUNDATION CONFIRMATION

Please read the following statement. On completion of your foundation work please sign the statement and return to Proven Energy Ltd, at the above below.

I CERTIFY THAT THE FOUNDATIONS FOR THE WIND TURBINE AND TOWER (TO BE INSTALLED AT THE ADDRESS BELOW) ARE COMPLETED AS PER PROVEN INSTRUCTIONS*. I UNDERSTAND THAT I MAY BE CHARGED FOR ADDITIONAL INSTALLATION WORK IF REQUIRED DUE TO ANY DEVIATION FROM THE PROVEN SPECIFICATION**.

SIGNED:

DATE:

NAME (CAPITALS):

SITE ADDRESS:

.....

.....

* Foundation specification for each wind turbine model is available from Proven Energy Ltd. Please check that you have the current Proven Foundation Pack for your particular wind turbine and tower combination.

** e.g. lack of anchor block, wrong hinge orientation etc.

N.B. This form need only be completed and returned if your system is being installed by Proven Engineers. If your system is being installed by others e.g. Proven Authorised Distributor, consult them directly regarding foundation requirements.

Proven Energy Ltd, Wardhead Park, Stewarton, KA3 5LH, Scotland, UK

Tel: +44(0) 1560 485 570 Fax: +44(0) 1560 485 580 Web: www.provenenergy.com Email: info@provenenergy.com

Reg. in Scotland No. 71400